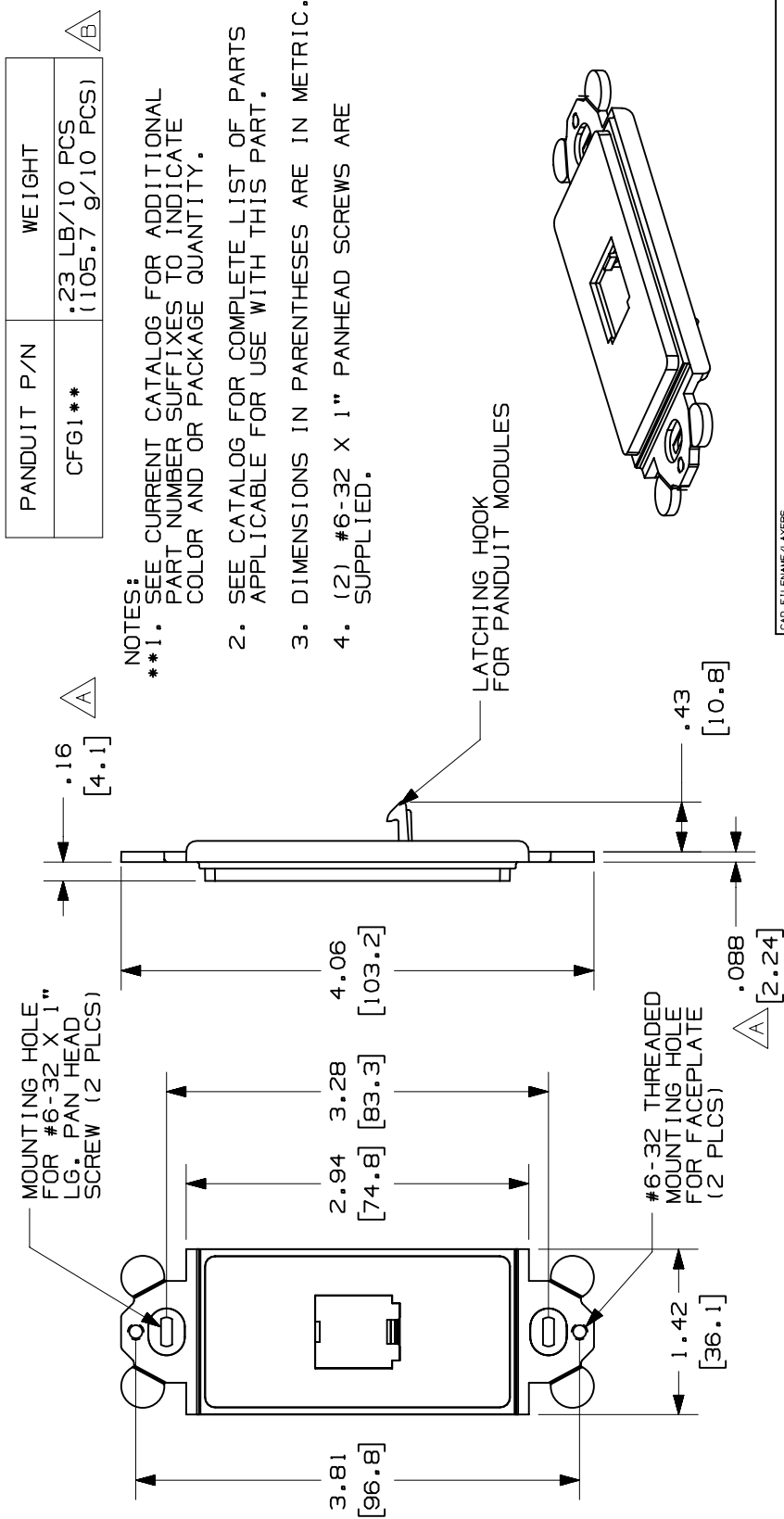


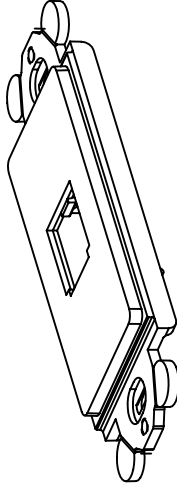
THIS COPY IS PROVIDED ON A RESTRICTED BASIS AND IS NOT TO BE USED IN ANY WAY DETRIMENTAL TO THE INTERESTS OF PANDUIT CORP.



PANDUIT P/N	WEIGHT
CFG1**	.23 LB/10 PCS (105.7 g/10 PCS)

**NOTES:**

- \*\*1. SEE CURRENT CATALOG FOR ADDITIONAL PART NUMBER SUFFIXES TO INDICATE COLOR AND OR PACKAGE QUANTITY.
- 2. SEE CATALOG FOR COMPLETE LIST OF PARTS APPLICABLE FOR USE WITH THIS PART.
- 3. DIMENSIONS IN PARENTHESES ARE IN METRIC.
- 4. (2) #6-32 X 1" PANHEAD SCREWS ARE SUPPLIED.



CAD FILENAME/LAYERS

M00148BA\_DC\_00C.PRT

<b>PANDUIT</b>			CORP. TINLEY PARK, ILLINOIS		
			"GFCI" MODULE FRAME ONE POSITION (CFG1**) CUSTOMER DRAWING		
UNLESS OTHERWISE SPECIFIED, DIMENSIONAL TOLERANCES ARE: (.X) ± (.XX) ±.03(.8) ANGLES ±			UNLESS OTHERWISE SPECIFIED, ALL DIMENSIONS ARE GIVEN IN INCHES, THIRD ANGLE PROJECTION.		
DATE	RCA	MAT'L:	SCALE	NONE	
8-26-97	CEP	ABS $\triangle$ C	DRAWING NO.	00148-01	
CHECKED BY	CEP	ECN	CHK	SUP	SIZE
					A
REV	DATE	BY	CHK	DESCRIPTION	
2	12-4-98	JSP			
1	9-16-97	RCA	CEP		
R	8-26-97	RCA	CEP		